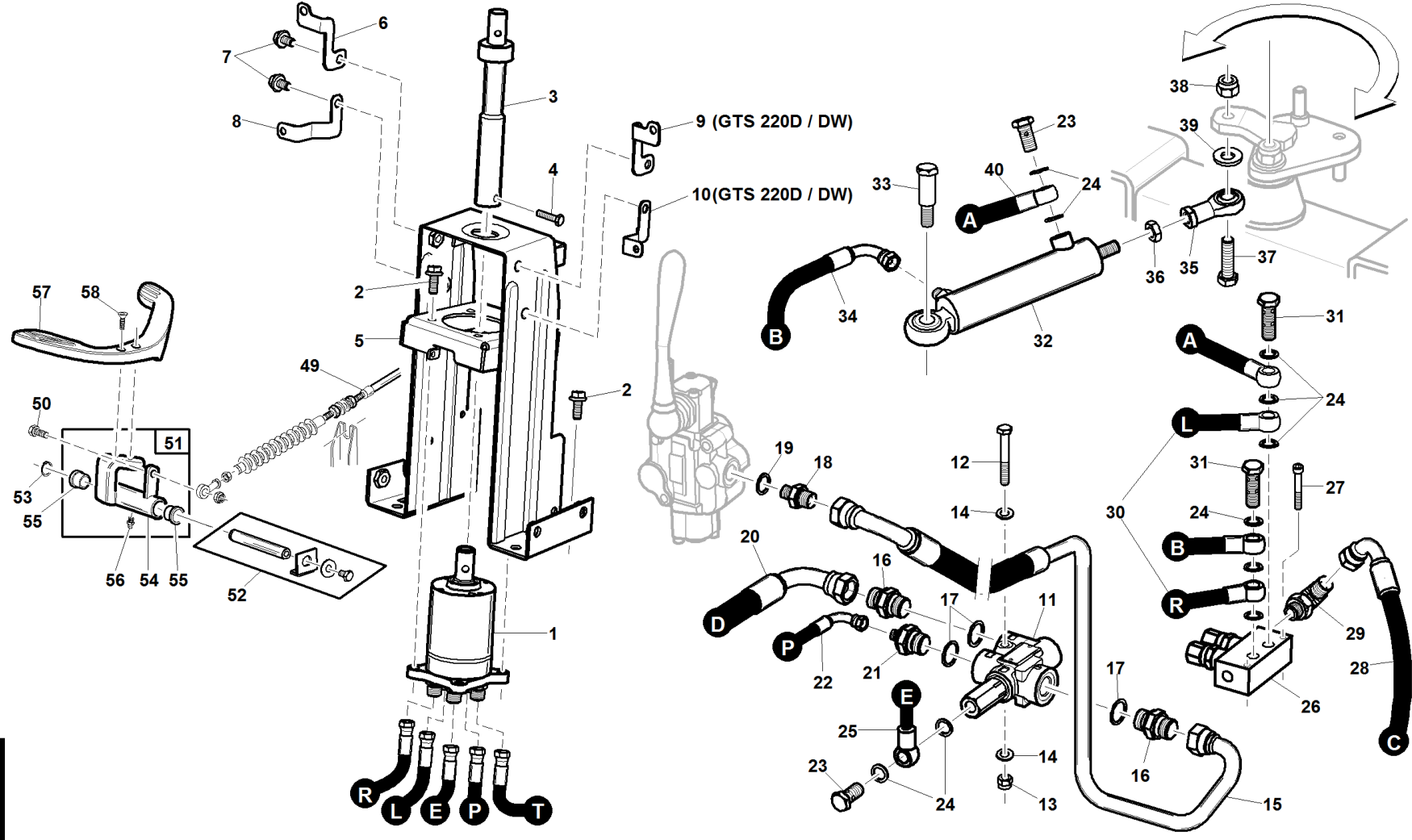
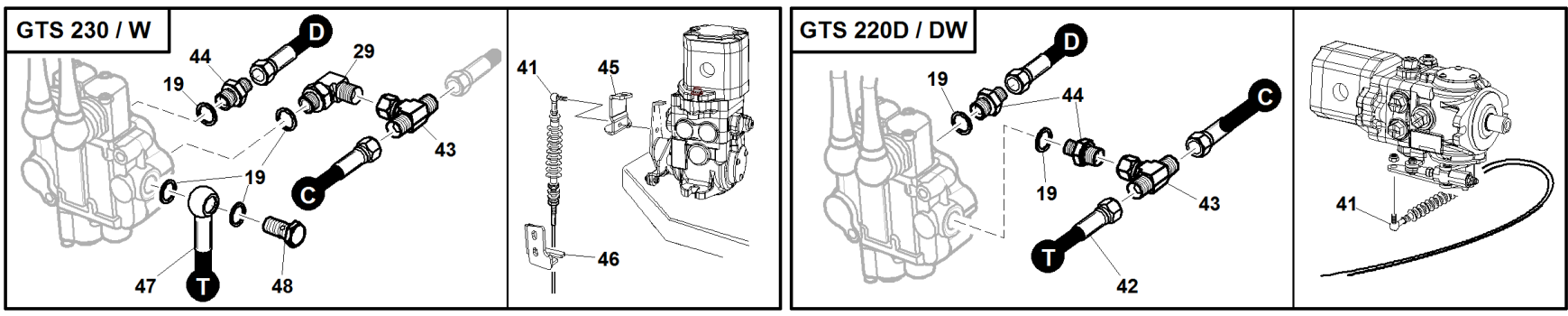


**GTS**



**S/N**  
→ 1409003

**REF.09 - 00555501352**

#	P/N	DESCRIPTION	GTS
1	92001000070		
2	00111450003	SCREW WASHER M8X20	
3	92001000069	STEERING SHAFT EXTENSION	
4	00111000137	SCREW TE M6X25	
5	92001710000	STEERING COLUMN	
6	92006000035	TERMINAL STRIP RH UPPER SUPPORT	
7	00111000059	FAKE SCREW/WASH. M8X14	
8	92006000036	TERMINAL STRIP RH LOWER SUPPORT	
9	92001000072	TERMINAL STRIP LH UPPER SUPPORT	
10	92001000073	TERMINAL STRIP LH LOWER SUPPORT	
11	92001000071	PRIORITY VALVE	
12	00111300027	HEX SOCKET HEAD CAP SCREW M8X60 UNI 5737	
13	00111000071	SELF LOCKING NUT M8 UNI 7473	
14	00111000087	WASHER P.8,4X15.6X1,5	
15	92006260007	FEED LINE FOR PRIORITY VALVE	
16	00777600125	NIPPLE 1/2 - 1/2	
17	00777600117	"COPPER WASHER 1/2""	
18	00777600156	NIPPLE 1/2 - 3/8	
19	00777600003	WASHER COPPER 3/8	
20	92006260009	HYDRAULIC PIPE 1/2 2SC F90° 1/2 - F45°1/	
21	00777600210	NIPPLE 1/2-1/4	
22	92006260002	HYDRAULIC PIPE 1/4 1SC F9/16 - 18ORFS -	
23	00777600040	SIMPLE CABLE BOLT	
24	00777600001	WASHER COPPER 1/4	
25	92006260003	HYDRAULIC PIPE 1/4 1SC F9/16 - 18ORFS -	
26	92001000067	ANTI SHOCK VALVE	
27	00111400011	ALLEN SCREW M6X50	
28	92006260008	HYDRAULIC PIPE 3/8 1SC F3/8 - F90° 3/8	
29	00777600115	MALE ELBOW 90° 3/8	
30	92006260004	HYDRAULIC PIPE 1/4 1SC F9/16 - 18ORFS -	
31	00777600039	DOUBLE CABLE BOLT	
32	92001700001		
33	92001000063	STEERING CYLINDER PIN	
34	92006260006	HYDRAULIC PIPE 1/4 1SC OC1/4 - F90° 1/4	
35	00777200019	SPHEROX TF12 RIGHT	
36	00111150010	NUT 5589	
37	00111000042	SCREW	
38	00111250008	SELF LOCKING NUT M12 UNI 7473	
39	00111550007	WASHER M12	
40	92006260005	HYDRAULIC PIPE 1/4 1SC OC1/4 - OC1/4	
41	00777200026	ROUND JOINT M6	
42	92006260001	HYDRAULIC PIPE 1/4 1SC F9/16 - 18ORFS -	
43	00777600178	T-ADAPTER 3/8	
44	00777600015	NIPPLE 3/8	
45	92011000002	PUMP CONTROL EXTENDED LEVER	
46	92011000003	ADVACEMENT CABLE FIXING BRACKET	
47	92011150001	HYDRAULIC PIPE 1/4 1SC F9/16 - 18ORFS - OC3/8	
48	00777600041	EMPTY SCREW 3/8	
49	92006000012	ADVANCEMENT CABLE GTSD	
50	00111300008	SCREW TE M8X25	
51	92001540000	ACCELERATOR PEDAL SUPPORT	
52	95597270000	PEDAL PIN KIT	
53	00111650004	SNAP RING D.15 E	
54	92001330000	ACCELERATOR PEDAL SUPPORT	
55	95001000060	BRASS BUSHING	
56	00111000036	GREASER M6	
57	95533000003	ACCELERATOR PEDAL	
58	00111350022	SCREW TSPEI M8X30 ZNT	